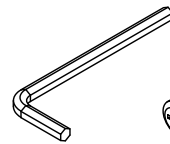
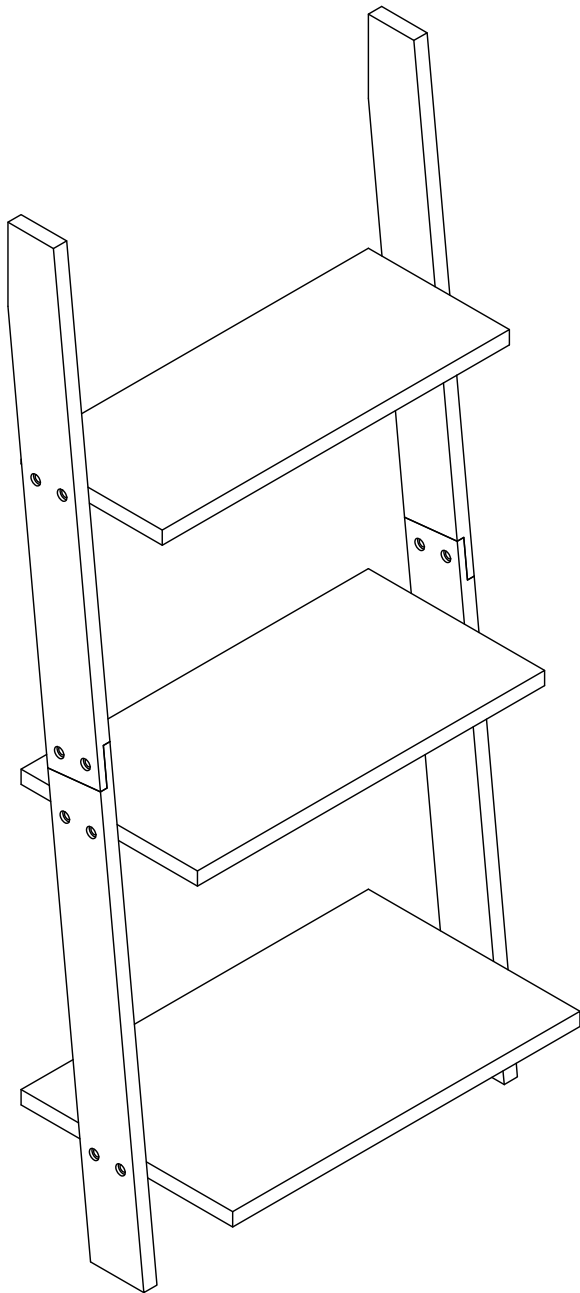


# GAPA typ 1



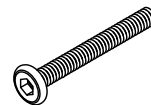
Ax1



Bx4



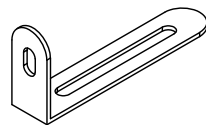
Cx4



Dx12



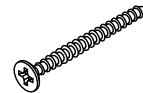
Ex12



Fx1



Gx1



Hx1

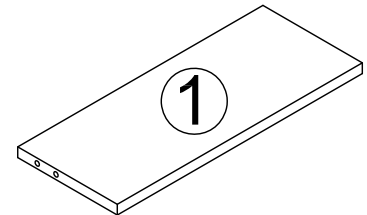


Ix1

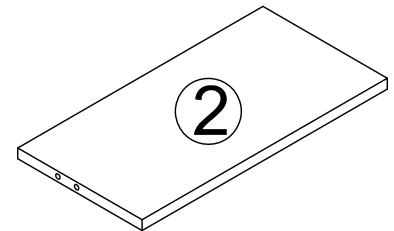
4



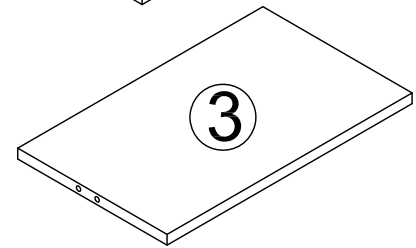
5



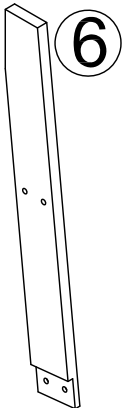
1



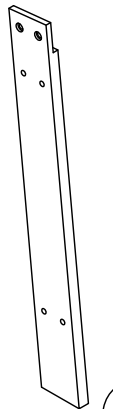
2



3

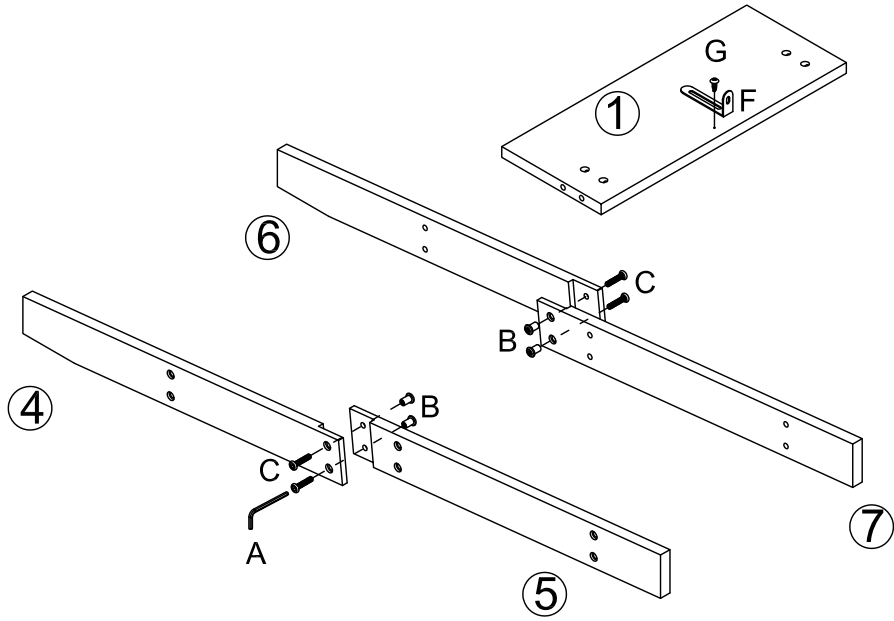


6

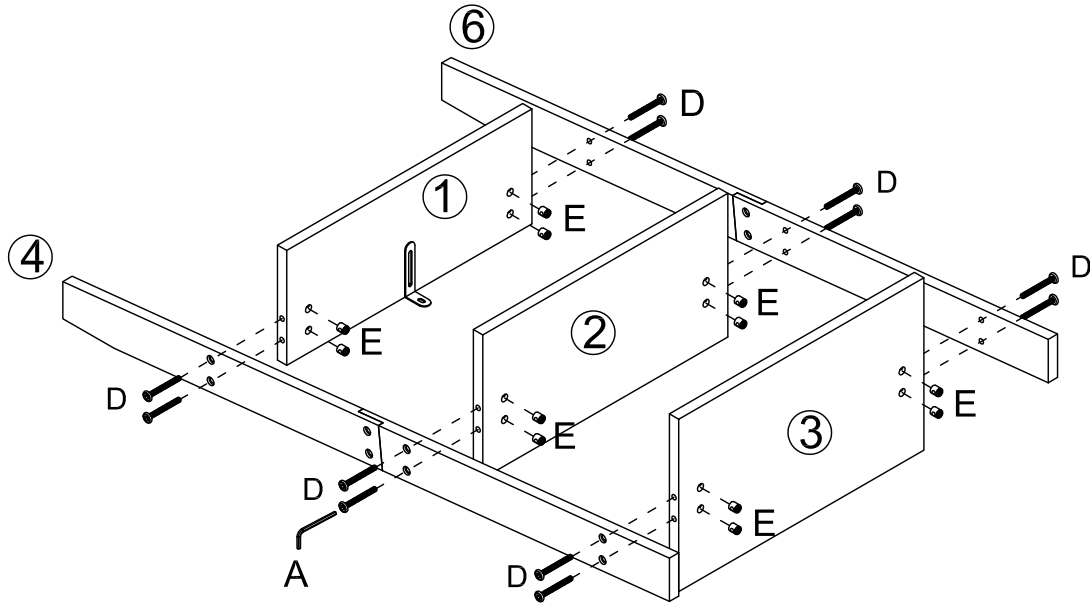


7

1



2



3

